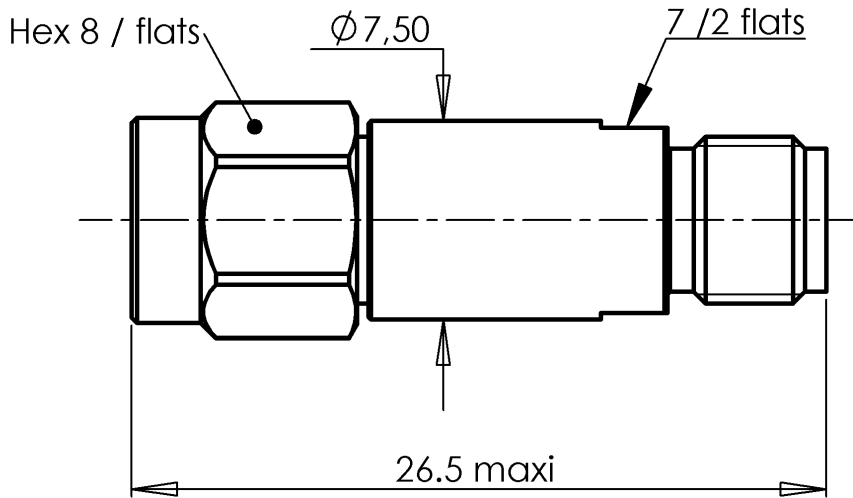


**COAXIAL ATTENUATOR SMA 2.9 DC-40GHZ**

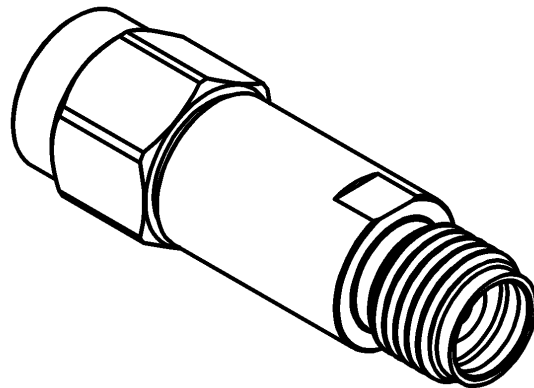
**R413.309.000**

**2 W - 9DB**

Series : **ATTENUATOR**



Scale 1:1



All dimensions are in mm.

| COMPONENTS                   | MATERIALS           | PLATING(µm)         |
|------------------------------|---------------------|---------------------|
| <b>BODY</b>                  | ACIER INOXYDABLE    | PASSIVATION         |
| <b>MALE CENTER CONTACT</b>   | CUPRO BERYLLIUM     | OR 1.3 SUR NICKEL 2 |
| <b>FEMALE CENTER CONTACT</b> | CUPRO BERYLLIUM     | OR 1.3 SUR NICKEL 2 |
| <b>OUTER CONTACT</b>         | ACIER INOXYDABLE    | PASSIVATION         |
| <b>INSULATOR</b>             | -                   |                     |
| <b>GASKET</b>                | ELASTOMERE SILICONE |                     |
| <b>SUBSTRATE</b>             | CERAMIQUE D'ALUMINE |                     |
| <b>RESISTOR</b>              | -                   |                     |
| <b>OTHERS PARTS</b>          |                     |                     |

Issue : 0741 C

In the effort to improve our products, we reserve the right to make changes judged to be necessary.

**COAXIAL ATTENUATOR SMA 2.9 DC-40GHZ**

**R413.309.000**

**2 W - 9DB**

Series : ATTENUATOR

**ELECTRICAL CHARACTERISTICS**

|                 |                 |
|-----------------|-----------------|
| Frequency (GHz) | DC - 40         |
| V.S.W.R (≤)     | 1.60 (1.4 typ.) |
| Deviation(±dB)  | 0.8             |

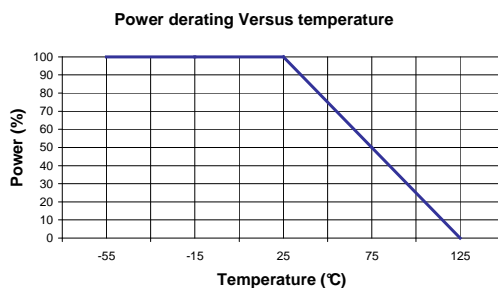
|                              |         |                     |
|------------------------------|---------|---------------------|
| Operating Frequency Range    | DC - 40 | GHz                 |
| Impedance                    | 50      | Ω                   |
| Nominal Attenuation          | 9       | dB                  |
| Peak power at 25°C (1μs, 1%) | 100     | W                   |
| Average power at 25°C        | 2       | W (Free Air Cooled) |

**MECHANICAL CHARACTERISTICS**

|            |         |             |             |
|------------|---------|-------------|-------------|
| Connectors | SMA 2.9 | Male Female | MIL-C 39012 |
| Weight     | 6,5700  | g           |             |

**ENVIRONMENTAL CHARACTERISTICS**

|                             |             |
|-----------------------------|-------------|
| Operating temperature range | -55/+125 °C |
| Storage temperature range   | -55/+125 °C |



**SPECIFICATION**

**OTHER CHARACTERISTICS**

Temperature sensitivity :  $4 * 10^{-4}$  dB  
dB \* °C

Issue : 0741 C

In the effort to improve our products, we reserve the right to make changes judged to be necessary.